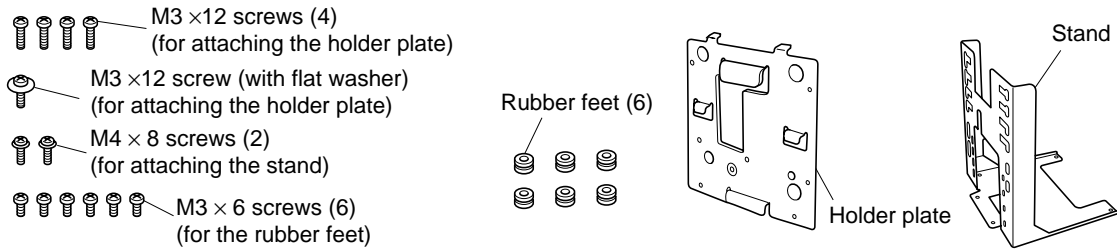


# Attaching the TSP800 vertical stand

**1. Unpacking :** Confirm that all accessories are included.



## 2. Attachment procedures :

### 2-1 Attaching the holder plate

- ① Remove the screw from the printer as shown in the illustration.
- ② Attach the holding plate to the printer, and then tighten the four M3 screws supplied to fix it securely in place.

The screw fitted with a flat washer is to be used in the place from which the screw was previously removed.

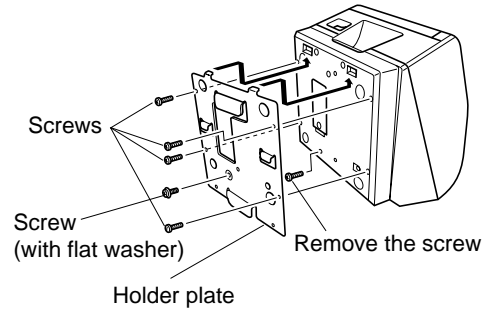


fig.1 Attaching the holder plate

### 2-2 Setting the rubber feet in place

Tighten the six rubber feet onto the stand with the M4 screws until they are securely fixed in place.

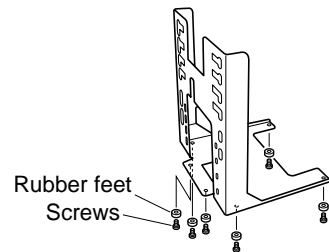


fig.2 Setting the rubber feet in place

### 2-3 Setting the printer on the stand

Insert the two hooks on the holding plate through the two holes on the stand. Four different positions are available for insertion, so select the required position accordingly.

Once the hooks have been inserted into the holes, fix the printer onto the stand with the two screws.

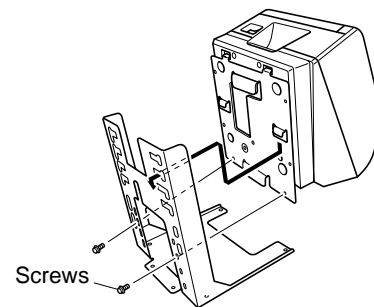


fig.3 Setting the printer on the stand

### 2-4 Setting the roll paper in place

- ① Push the cover open lever, and open the printer cover.
- ② Insert the roll paper as shown.

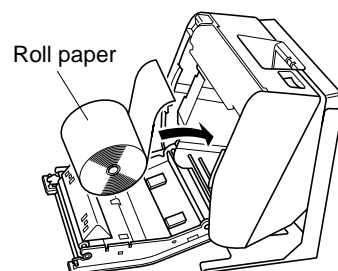


fig.4 Setting the roll paper in place